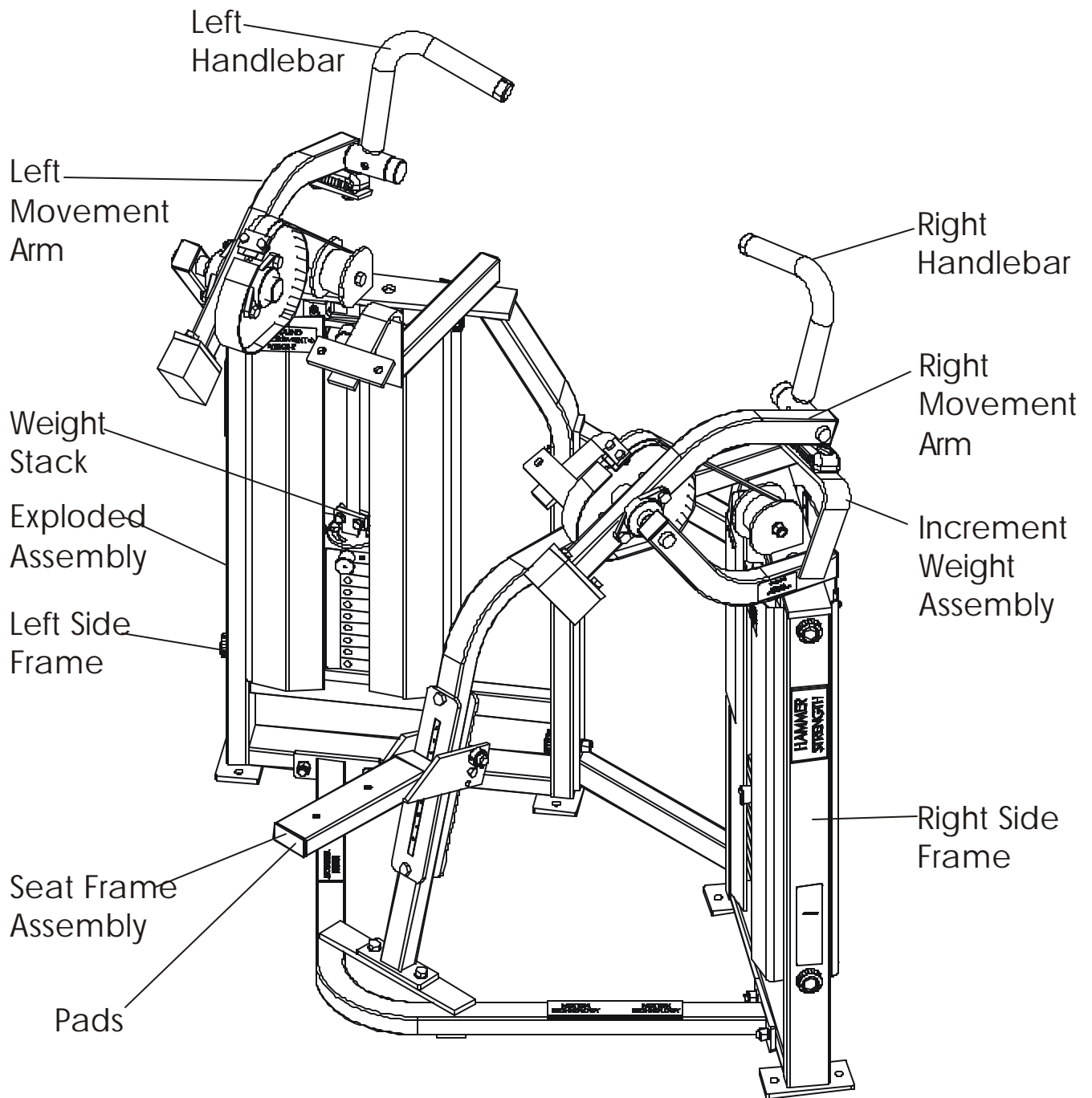


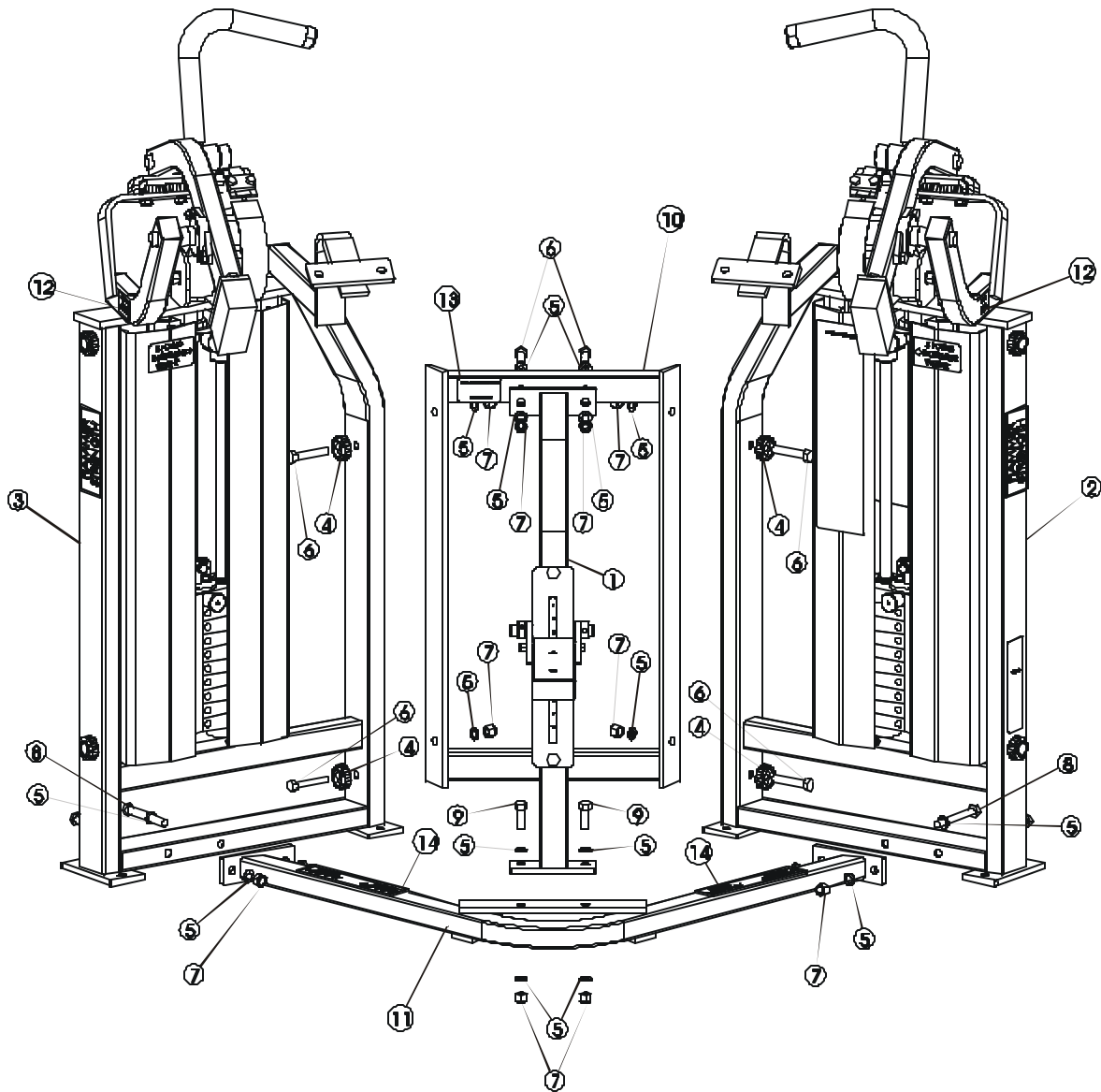
HAMMER STRENGTH EQUIPMENT

MTS Biceps Curl - General Assembly



HAMMER STRENGTH EQUIPMENT

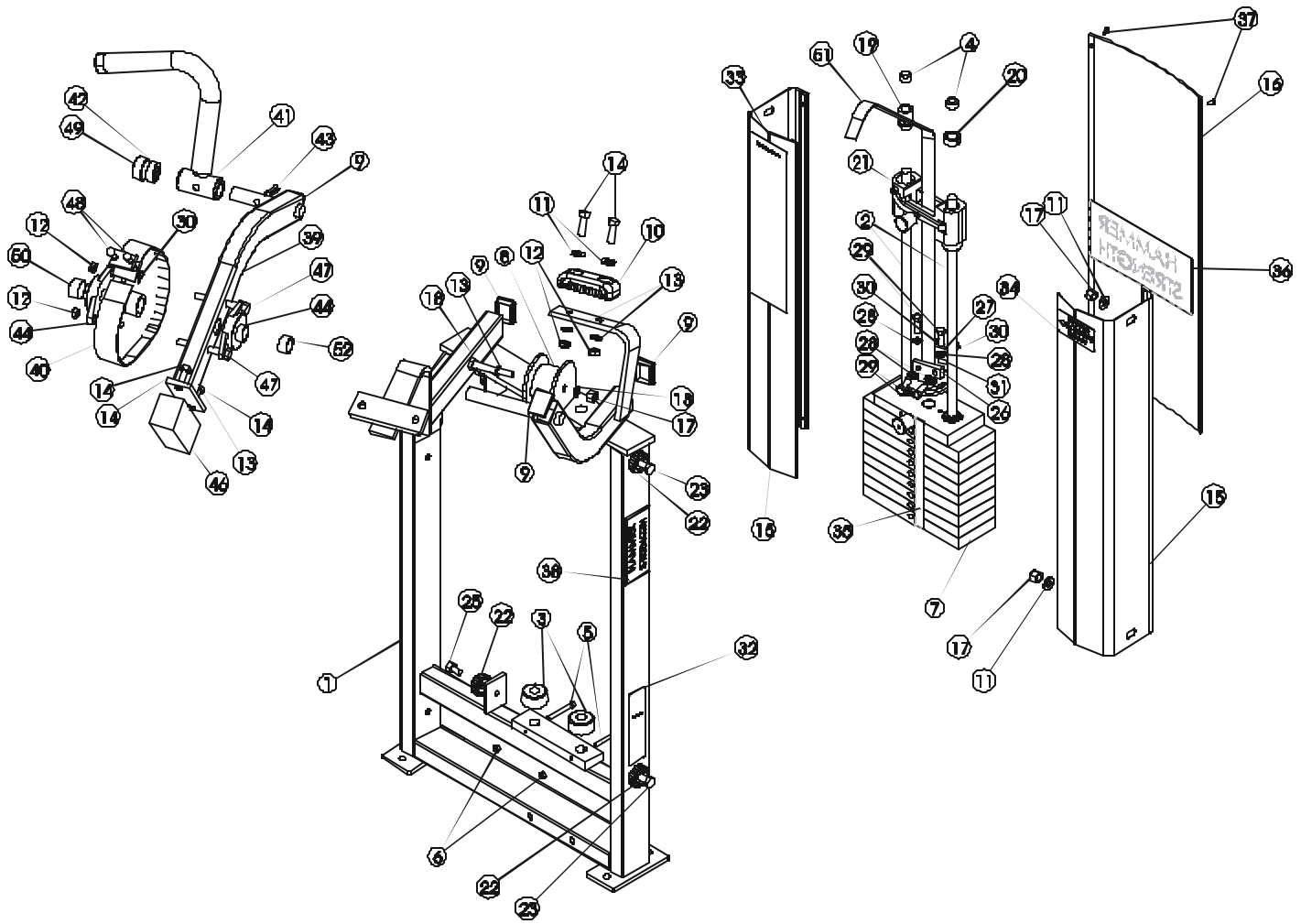
MTS Biceps Curl - Exploded Assembly



| ITEM NO. | QTY. | PART NO. | DESCRIPTION |
|----------|------|-----------------|-----------------------------|
| 1 | 1 | MTBC-A0001 | Seat Frame Assembly |
| 2 | 1 | MTBC-A0003 | (Right) SIDE FRAME ASSEMBLY |
| 3 | 1 | MTBC-A0004 | Left Side Frame Assembly |
| 4 | 4 | 0017-00042-1041 | HAMMER HEAD WASHER |
| 5 | 20 | 0017-00104-0379 | 1/2" Internal Lock Washer |
| 6 | 6 | 0017-00101-1573 | 1/2 X 2 3/4 Bolt |
| 7 | 12 | 0017-00103-0223 | 1/2" Thick Lock Nut |
| 8 | 4 | 0017-00101-1576 | 1/2 X 4 1/4 Bolt |
| 9 | 2 | 0017-00101-1584 | 1/2 X 1 1/2 Bolt |
| 10 | 1 | MTBC-S0002 | Front Frame Sub-Assembly |
| 11 | 1 | MTBC-S0009 | Base Frame Subassembly |
| 12 | 2 | M051-00293-A000 | WARNING DECAL |
| 13 | 1 | M051-00299-A000 | HAMMER PATENT DECAL |
| 14 | 2 | 0017-00042-1045 | 1.875 X 9.25 FRAME GUARD |

HAMMER STRENGTH EQUIPMENT

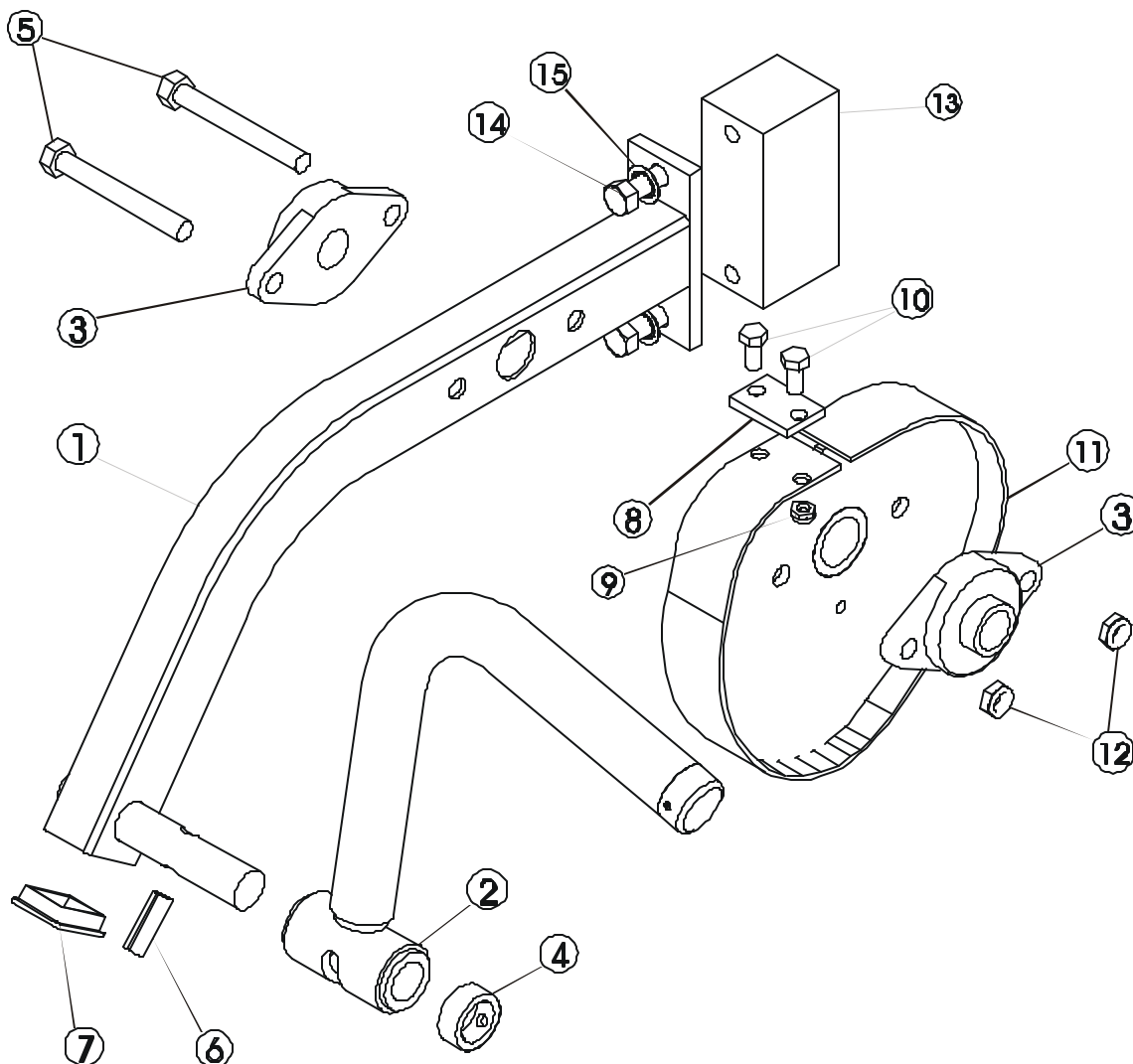
MTS Biceps Curl - Right Side Frame



| ITEM NO. | QTY. | PART NO. | DESCRIPTION | ITEM NO. | QTY. | PART NO. | DESCRIPTION |
|----------|------|------------------------|--------------------------------|----------|------|------------------------|-------------------------------|
| 1 | 1 | MTBC-S0003 | Right Side Frame | 27 | 1 | OK50-P1121 | Strap Clamp 2 |
| 2 | 2 | 0017-00009-0933 (MTBC) | CHROME ROD (31.75") | 28 | 4 | 0017-00104-0377 | WSH .375 INT LOCK ST ZN |
| 3 | 2 | 0017-00042-0993 | WEIGHT STACK DONUT 1" THICK | 29 | 4 | 0017-00101-1412 | 3/8-16 X 20 UNS HEX BLT G5 ZN |
| 4 | 2 | 0017-00042-0967 | 3/4 I.D. BLACK PLASTIC ROD CAP | 30 | 4 | 0017-00103-0217 | NUT 3/8 - NYLOC; THIN NY NO |
| 5 | 2 | 0017-00101-1585 | 1/4 X 2 1/2 Bolt | 31 | 1 | OK50-P1132 | BELT WRAP PEG |
| 6 | 2 | 0017-00103-0226 | 1/4" Thick Lock Nut | 32 | 1 | M051-00335-A000 | WARNING DECAL |
| 7 | 1 | AK50-WS020 | MTS 100 LB WEIGHT STACK | 33 | 1 | M051-00444-A000 | MTS BICEP CURL |
| 8 | 1 | 0017-00009-1039 | 3" PULLEY ASSEMBLY | 34 | 1 | M051-00298-A000 | INCREMENT WT. DECAL (LEFT) |
| 9 | 4 | 0017-00042-0945 | 1 1/2 X 2 Endcap | 35 | 1 | M051-00443-A000 | WEIGHT STACK NUMBER STRIP |
| 10 | 1 | 0017-00042-1040 | HAMMER HEAD SMALL BUMPER | 36 | 1 | M051-00292-A000 | HAMMER STRENGTH SHIELD DECAL |
| 11 | 5 | 0017-00104-0311 | 1/2" SAE Flat Washer | 37 | 2 | 0017-00101-1587 | SHIELD RIVET |
| 12 | 4 | 0017-00103-0224 | 1/2" Thin Lock Nut | 38 | 1 | M051-00289-A000 | HAMMER STRENGTH NAME PLATE |
| 13 | 6 | 0017-00104-0379 | 1/2" Internal Lock Washer | 39 | 1 | MTBC-S0005 | Right Marm Subassembly |
| 14 | 4 | 0017-00101-1584 | 1/2 X 1 1/2 Bolt | 40 | 1 | MTBC-S0012 | Cam Sub-Assembly |
| 15 | 2 | MTBC-P0020 | MTS SIDE SHIELD | 41 | 1 | MTBC-A0006 | Right Handlebar Assem |
| 16 | 1 | MTBC-P0021(RADIUS) | MTS PLASTIC PANEL | 42 | 1 | 0017-00009-0942 | 1" ID SHAFT COLLAR BORED .020 |
| 17 | 3 | 0017-00103-0223 | 1/2" Thick Lock Nut | 43 | 1 | 0017-00007-0251 | SPLIT PIN |
| 18 | 1 | 0017-00101-1574 | 1/2 X 3 1/4 Bolt | 44 | 2 | 0017-00009-1034 | Small Bearing |
| 19 | 1 | OK50-P1110 | GUIDE ROD COLLAR | 45 | 1 | MTLC-P0016 | STRAP CLAMP |
| 20 | 1 | 0017-00009-1019 | 3/4" Lock Collar | 46 | 1 | MTBC-P0023 | MTS COUNTER WEIGHT |
| 21 | 1 | AK50-S0021 | Increment Weight Assembly | 47 | 2 | 0017-00101-1580 | 1/2 X 4 Bolt |
| 22 | 4 | 0017-00042-1041 | HAMMER HEAD WASHER | 48 | 2 | 0017-00101-1428 | 3/8 X 3/4 Bolt |
| 23 | 2 | 0017-00101-1572 | 1/2 X 2 1/2 Bolt | 49 | 1 | 0017-00042-0953 | 1.375 X .750 BLACK RUBBER CAP |
| 24 | 1 | 0017-00101-1583 | 1/2 X 1 1/4 Bolt | 50 | 1 | 0017-00042-0952 | 1.187" X .750" RED RUBBER CAP |
| 25 | 1 | 0017-00101-1586 | 1/2 X 3/4 Bolt | 51 | 1 | 0017-00033-0855-(MTBC) | STRAP (47.0") |
| 26 | 1 | AK50-S0023 | BELT ATTACHMENT PLATE | 52 | 1 | 0017-00042-1042 (MTBC) | BELLOW, PLASTIC (1.00") |

HAMMER STRENGTH EQUIPMENT

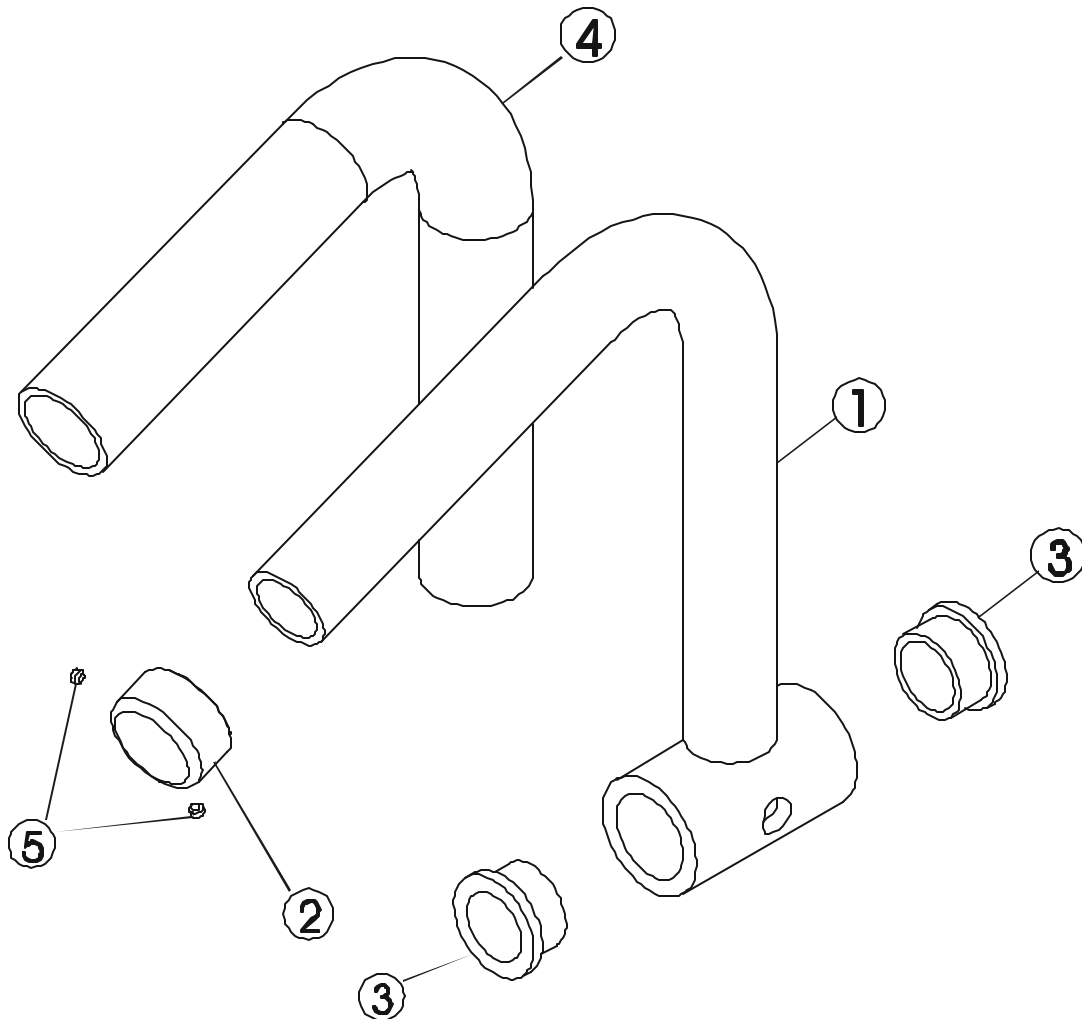
MTS Biceps Curl - Right Movement Arm



| ITEM NO. | QTY. | PART NO. | DESCRIPTION |
|----------|------|-----------------|---------------------------------|
| 1 | 1 | MTBC-S0005 | Right Marm Subassembly |
| 2 | 1 | MTBC-A0006 | Right Handlebar Assem |
| 3 | 2 | 0017-00009-1034 | Small Bearing |
| 4 | 1 | 0017-00009-0942 | 1" ID SHAFT COLLAR BORED .020 |
| 5 | 2 | 0017-00101-1580 | 1/2 X 4 Bolt |
| 6 | 1 | 0017-00007-0251 | SPLIT PIN |
| 7 | 1 | 0017-00042-0945 | 1 1/2 X 2 Endcap |
| 8 | 1 | MTLC-P0016 | STRAP CLAMP |
| 9 | 2 | 0017-00103-0217 | NUT 3/8 - NYLOC; THIN NY NO |
| 10 | 2 | 0017-00101-1428 | 3/8 X 3/4 Bolt |
| 11 | 1 | MTBC-S0012 | Cam Sub-Assembly |
| 12 | 2 | 0017-00103-0224 | 1/2" Thin Lock Nut |
| 13 | 1 | MTBC-P0023 | MTS COUNTER WEIGHT |
| 14 | 2 | 0017-00101-1584 | 1/2-13 X 1.50 UNC HEX BLT G5 ZN |
| 15 | 2 | 0017-00104-0379 | WSH .500 INT LOCK ST ZN |

HAMMER STRENGTH EQUIPMENT

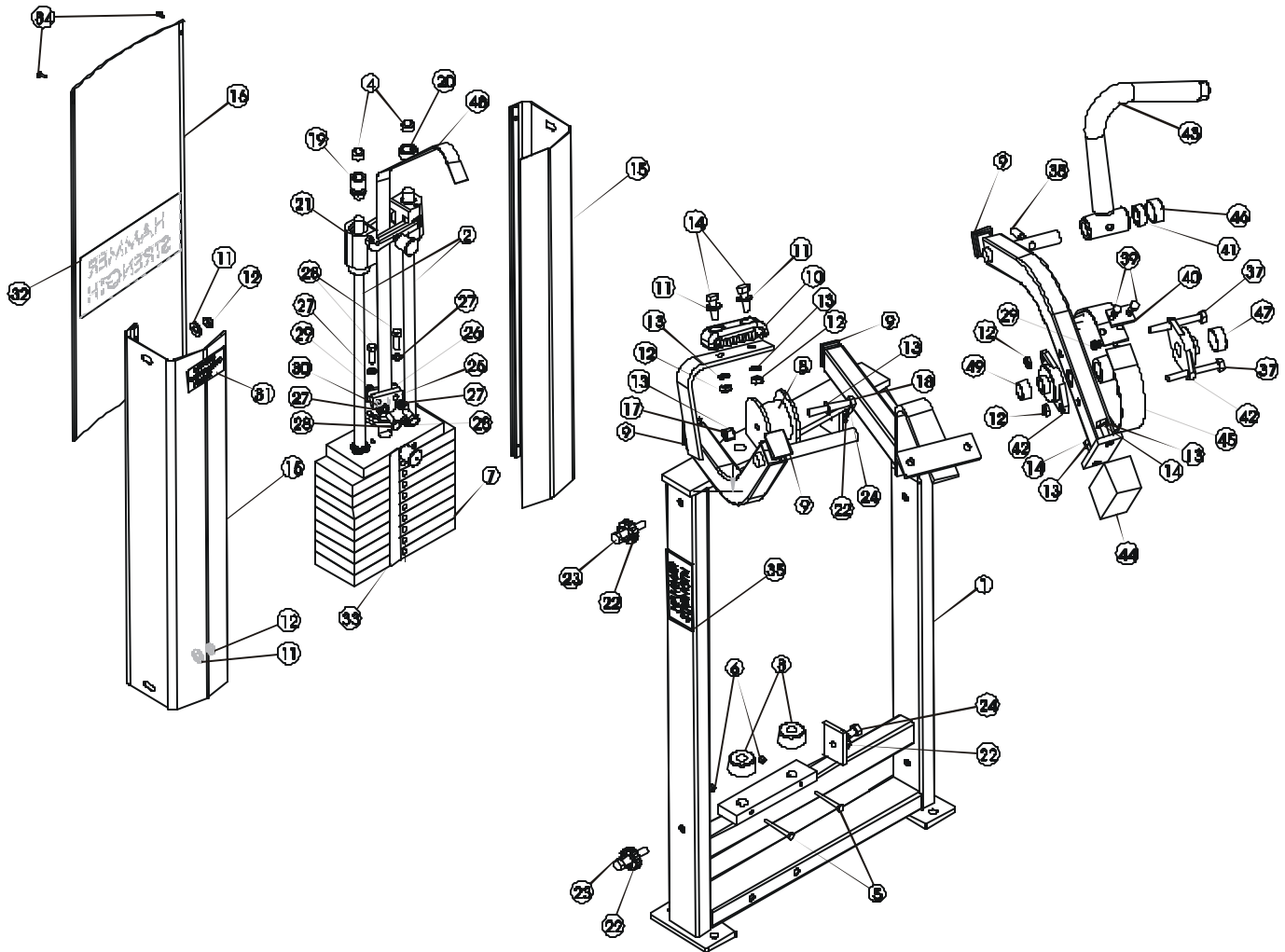
MTS Biceps Curl - Right Handlebar



| ITEM NO. | QTY. | PART NO. | DESCRIPTION |
|----------|------|-----------------|-----------------------------|
| 1 | 1 | MTBC-S0006 | Right Handlebar |
| 2 | 1 | OK50-P0315-4000 | ALLUMINUM END CAP |
| 3 | 2 | 0017-00009-0925 | 1" ID FLANGE OILITE BUSHING |
| 4 | 1 | H-GRIP | MTBC HANDLE GRIP |
| 5 | 2 | 0017-00101-1406 | 10-32 X 1/8" SET SCREW |

HAMMER STRENGTH EQUIPMENT

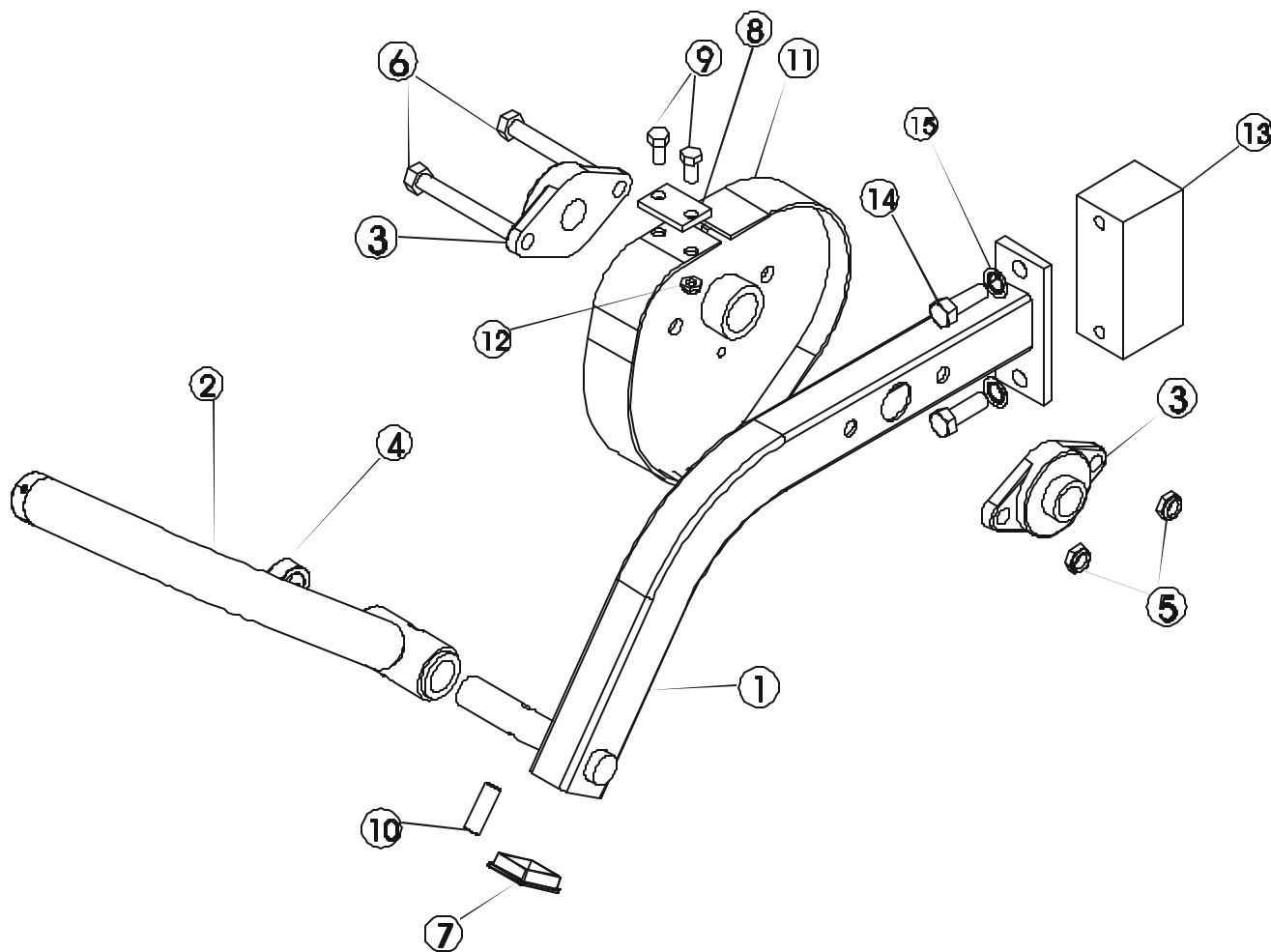
MTS Biceps Curl - Left Side Frame



| ITEM NO. | QTY. | PART NO. | DESCRIPTION | ITEM NO. | QTY. | PART NO. | DESCRIPTION |
|----------|------|------------------------|--------------------------------|----------|------|------------------------|-------------------------------|
| 1 | 1 | MTBC-S0004 | Left Side Frame | 26 | 1 | OK50-P1121 | Strap Clamp 2 |
| 2 | 2 | 0017-00009-0933 (MTBC) | CHROME ROD (31.75") | 27 | 4 | 0017-00104-0377 | WSH .375 INT LOCK ST ZN |
| 3 | 2 | 0017-00042-0993 | WEIGHT STACK DONUT 1" THICK | 28 | 4 | 0017-00101-1412 | 3/8-16 X 20 UNS HEX BLT G5 ZN |
| 4 | 2 | 0017-00042-0967 | 3/4 I.D. BLACK PLASTIC ROD CAP | 29 | 4 | 0017-00103-0217 | NUT 3/8 - NYLOC; THIN NY NO |
| 5 | 2 | 0017-00101-1585 | 1/4 X 2 1/2 Bolt | 30 | 1 | OK50-P1132 | BELT WRAP PEG |
| 6 | 2 | 0017-00103-0226 | 1/4" Thick Lock Nut | 31 | 1 | M051-00297-A000 | INCREMENT WT. DECAL (RIGHT) |
| 7 | 1 | AK50-WS020 | MTS 100 LB WEIGHT STACK | 32 | 1 | M051-00292-A000 | HAMMER STRENGTH SHIELD DECAL |
| 8 | 1 | 0017-00009-1039 | 3" PULLEY ASSEMBLY | 33 | 1 | M051-00443-A000 | WEIGHT STACK NUMBER STRIP |
| 9 | 4 | 0017-00042-0945 | 1 1/2 X 2 Endcap | 34 | 2 | 0017-00101-1587 | SHIELD RIVET |
| 10 | 1 | 0017-00042-1040 | HAMMER HEAD SMALL BUMPER | 35 | 1 | M051-00289-A000 | HAMMER STRENGTH NAME PLATE |
| 11 | 4 | 0017-00104-0311 | 1/2" SAE Flat Washer | 36 | 1 | MTBC-S0007 | Left Movement Arm |
| 12 | 6 | 0017-00103-0224 | 1/2" Thin Lock Nut | 37 | 2 | 0017-00101-1580 | 1/2 X 4 Bolt |
| 13 | 6 | 0017-00104-0379 | 1/2" Internal Lock Washer | 38 | 1 | 0017-00007-0251 | SPLIT PIN |
| 14 | 4 | 0017-00101-1584 | 1/2 X 1 1/2 Bolt | 39 | 2 | 0017-00101-1428 | 3/8 X 3/4 Bolt |
| 15 | 2 | MTBC-P0020 | MTS SIDE SHIELD | 40 | 1 | MTLC-P0016 | STRAP CLAMP |
| 16 | 1 | MTBC-P0021(RADIUS) | MTS PLASTIC PANEL | 41 | 1 | 0017-00009-0942 | 1" ID SHAFT COLLAR BORED .020 |
| 17 | 1 | 0017-00103-0223 | 1/2" Thick Lock Nut | 42 | 2 | 0017-00009-1034 | Small Bearing |
| 18 | 1 | 0017-00101-1574 | 1/2 X 3 1/4 Bolt | 43 | 1 | MTBC-A0008 | Left Handlebar Assembly |
| 19 | 1 | OK50-P1110 | GUIDE ROD COLLAR | 44 | 1 | MTBC-P0023 | MTS COUNTER WEIGHT |
| 20 | 1 | 0017-00009-1019 | 3/4" Lock Collar | 45 | 1 | MTBC-S0011 | Cam Weldment, Left |
| 21 | 1 | AK50-S0021 | Increment Weight Assembly | 46 | 1 | 0017-00042-0953 | 1.375 X .750 BLACK RUBBER CAP |
| 22 | 4 | 0017-00042-1041 | HAMMER HEAD WASHER | 47 | 1 | 0017-00042-0954 | 1.375 X .750 BLACK RUBBER CAP |
| 23 | 2 | 0017-00101-1572 | 1/2 X 2 1/2 Bolt | 48 | 1 | 0017-00033-0855-(MTBC) | STRAP (47.0") |
| 24 | 2 | 0017-00101-1586 | 1/2 X 3/4 Bolt | 49 | 1 | 0017-00042-1042 (MTBC) | BELLOW, PLASTIC (1.00") |
| 25 | 1 | AK50-S0025 | BELT ATTACHMENT PLATE | | | | |

HAMMER STRENGTH EQUIPMENT

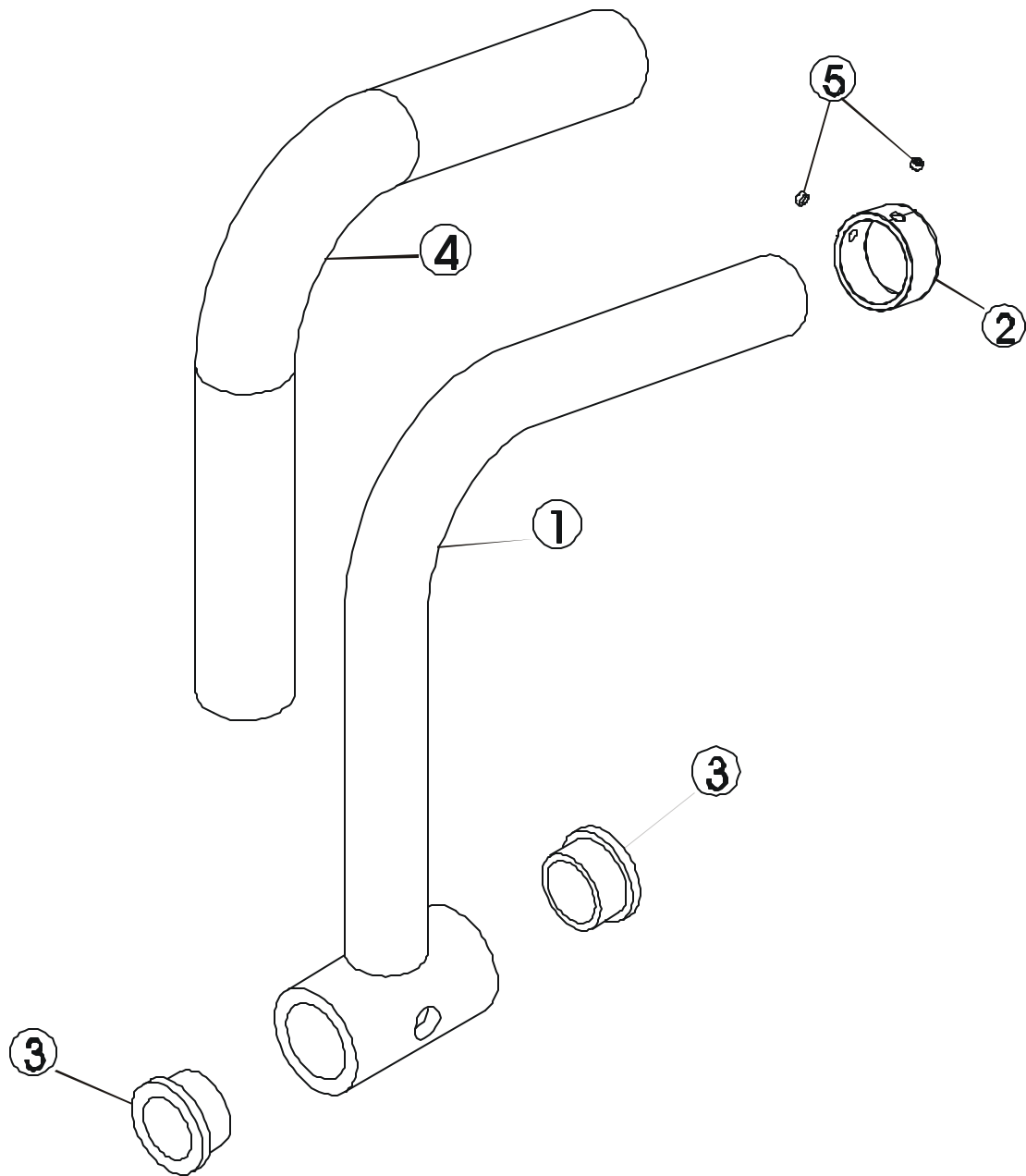
MTS Biceps Curl - Left Movement Arm



| ITEM NO. | QTY. | PART NO. | DESCRIPTION |
|----------|------|-----------------|---------------------------------|
| 1 | 1 | MTBC-S0007 | Left Movement Arm |
| 2 | 1 | MTBC-A0008 | Left Handlebar Assembly |
| 3 | 2 | 0017-00009-1034 | Small Bearing |
| 4 | 1 | 0017-00009-0942 | 1" ID SHAFT COLLAR BORED .020 |
| 5 | 2 | 0017-00103-0224 | 1/2" Thin Lock Nut |
| 6 | 2 | 0017-00101-1580 | 1/2 X 4 Bolt |
| 7 | 1 | 0017-00042-0945 | 1 1/2 X 2 Endcap |
| 8 | 1 | MTLC-P0016 | STRAP CLAMP |
| 9 | 2 | 0017-00101-1428 | 3/8 X 3/4 Bolt |
| 10 | 1 | 0017-00007-0251 | SPLIT PIN |
| 11 | 1 | MTBC-S0011 | Cam Weldment, Left |
| 12 | 2 | 0017-00103-0217 | NUT 3/8 - NYLOC; THIN NY NO |
| 13 | 1 | MTBC-P0023 | MTS COUNTER WEIGHT |
| 14 | 2 | 0017-00101-1584 | 1/2-13 X 1.50 UNC HEX BLT G5 ZN |
| 15 | 2 | 0017-00104-0379 | WSH .500 INT LOCK ST ZN |

HAMMER STRENGTH EQUIPMENT

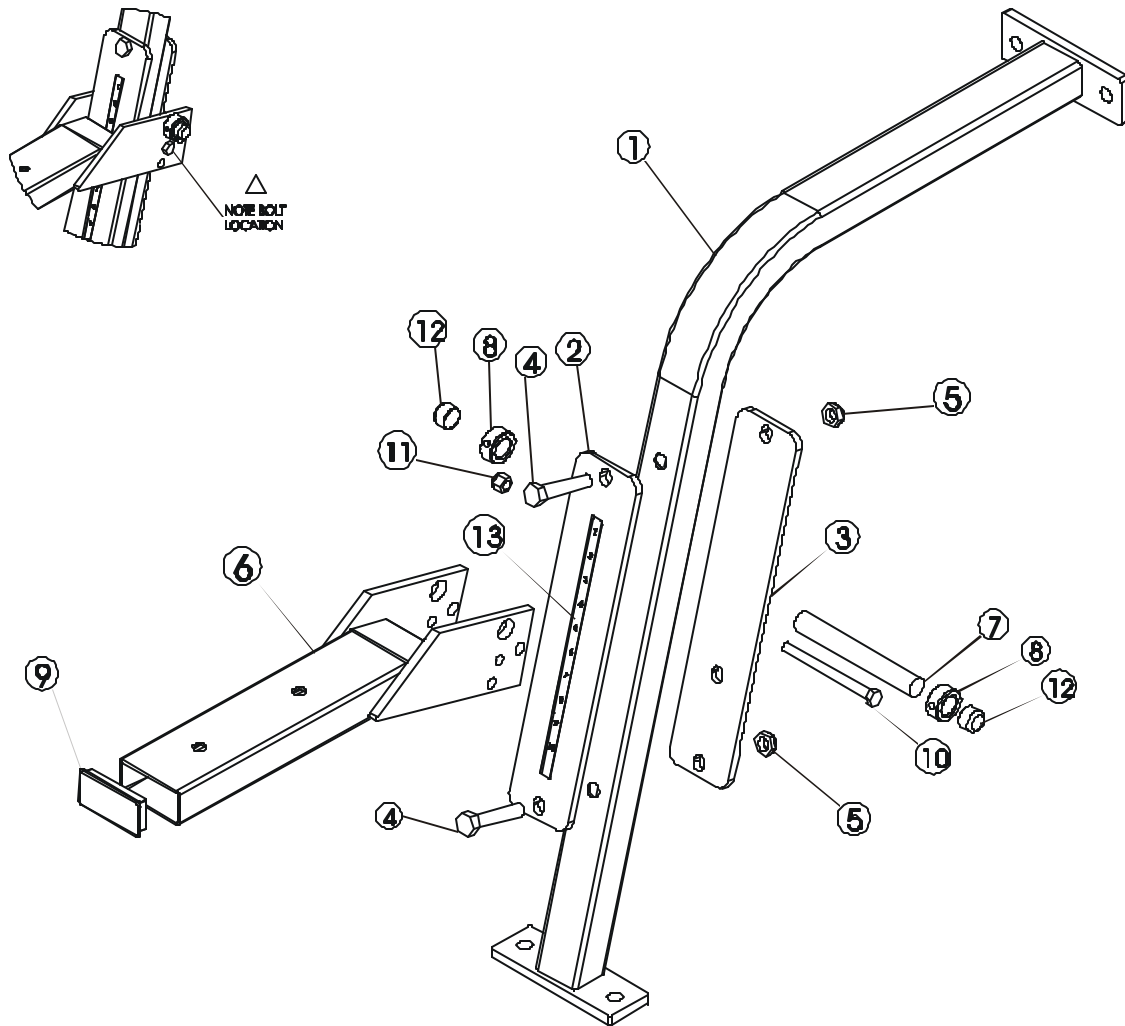
MTS Biceps Curl - Left Handlebar



| ITEM NO. | QTY. | PART NO. | DESCRIPTION |
|----------|------|-----------------|-----------------------------|
| 1 | 1 | MTBC-S0008 | Left Handlebar |
| 2 | 1 | OK50-P0315-4000 | ALLUMINUM END CAP |
| 3 | 2 | 0017-00009-0925 | 1" ID FLANGE OILITE BUSHING |
| 4 | 1 | H-GRIP | MTBC HANDLE GRIP |
| 5 | 2 | 0017-00101-1406 | 10-32 X 1/8" SET SCREW |

HAMMER STRENGTH EQUIPMENT

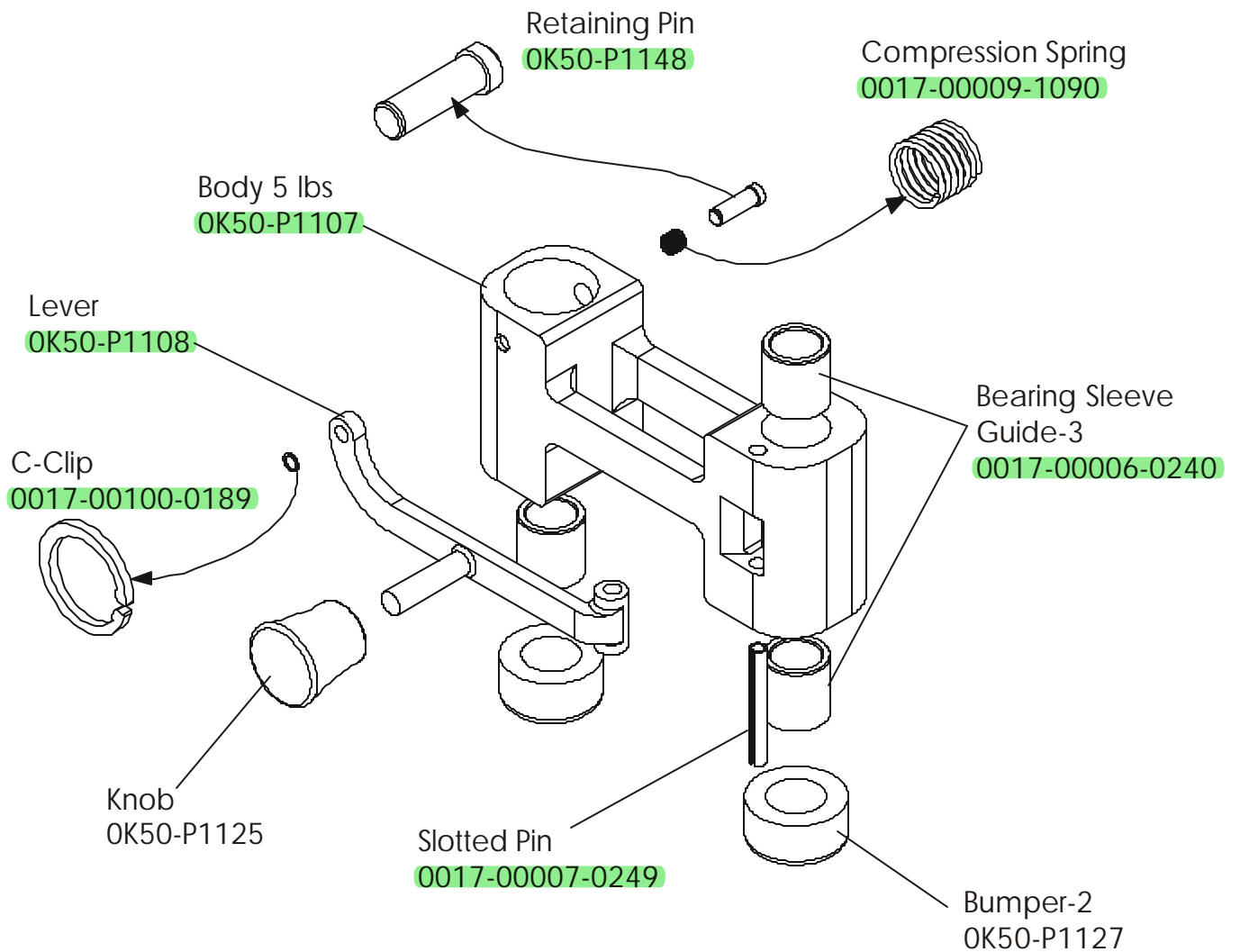
MTS Biceps Curl - Seat Frame Assembly



| ITEM NO. | QTY. | PART NO. | DESCRIPTION |
|----------|------|-----------------|--------------------------------|
| 1 | 1 | MTBC-S0001 | Seat Frame Sub-Asm |
| 2 | 1 | OK50-P1017 | Seatrack Front |
| 3 | 1 | OK50-P1018 | Seatrack Back |
| 4 | 2 | 0017-00101-1572 | 1/2 X 2 1/2 Bolt |
| 5 | 2 | 0017-00103-0224 | 1/2" Thin Lock Nut |
| 6 | 1 | OK50-S1003 | MTS SEAT 2 |
| 7 | 1 | OK50-P1007 | Standard Hammer Seat Shaft |
| 8 | 2 | 0017-00009-1019 | 3/4" Lock Collar |
| 9 | 1 | 0017-00042-1038 | 1 1/2 X 3 End Cap |
| 10 | 1 | 0017-00101-1567 | 3/8 X 4 1/4 Bolt |
| 11 | 1 | 0017-00103-0229 | 3/8" Thick Lock Nut |
| 12 | 2 | 0017-00042-0967 | 3/4 I.D. BLACK PLASTIC ROD CAP |
| 13 | 1 | M051-00296-A000 | SEAT ADJUSTMENT NUMBER STRIP |

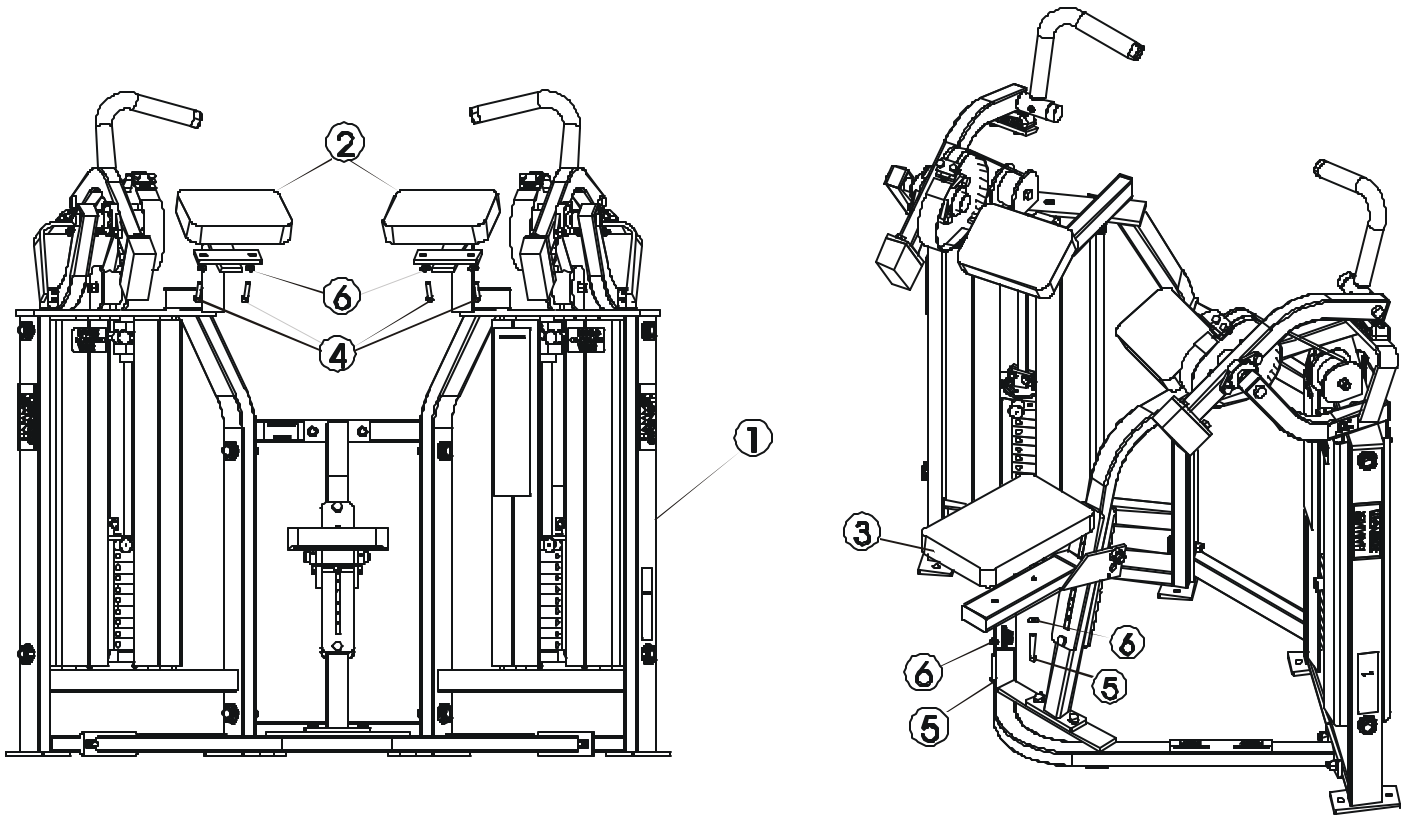
HAMMER STRENGTH EQUIPMENT

MTS Biceps Curl - Increment Weight Assembly



HAMMER STRENGTH EQUIPMENT

MTS Biceps Curl - Pads



| ITEM NO. | QTY. | PART NO. | DESCRIPTION |
|----------|------|-----------------|------------------------------|
| 1 | 1 | MTBC-A0000 | MTBC TOP ASSEMBLY |
| 2 | 2 | OK50-US076-0000 | ARM PAD UPH. |
| 3 | 1 | OK50-US062-0000 | MTS 9" X 14" SEAT PAD |
| 4 | 4 | 0017-00101-1411 | 3/8 -16X24 UNS HEX BLT G5 ZN |
| 5 | 2 | 0017-00101-1417 | 3/8 X 2-1/2 Bolt |
| 6 | 6 | 0017-00104-0377 | 3/8" Internal Lock Washer |

HAMMER STRENGTH EQUIPMENT

MTS Biceps Curl - Weight Stack

